

# instructions

FOR THE



## ADAPTER CABLES

WH9-1  
WH8-51  
WH11-51  
WH8-41

Because of the number of Heathkit Computer Consoles and their separate Accessory components, a number of adapter cables are required. You can purchase these separately as you add new components to your system.

Each Adapter Cable is described and illustrated below, along with its Model number to be used if you need to replace the original cable, or to order another cable for a newly acquired Heathkit Accessory. As described below, in each case, cable end "A" is terminated in a Molex\* connector at the equipment end.

The other end of each cable terminates in a standard 25-pin "D" connector adapter.

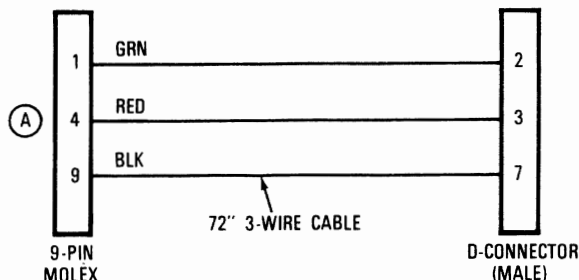
Interconnecting diagrams using these Adapter Cables are shown in Pictorials 2-1 through 2-6 which follow the cable descriptions.

NOTE: Cable lengths as shown in Pictorials 1-1 through 1-4 are approximate; cables may be slightly longer.

### WH9-1 ADAPTER CABLE ASSEMBLY

As shown below, the Model WH 9-1 Adapter Cable is a 3-wire cable terminated at the equipment end in a 9-pin Molex connector and at the other end in a 25-pin male "D" connector. The WH 9-1 Adapter

Cable adapts the serial EIA output of the H9 (WH9) Video Terminal to a female "D" connector input of a computer EIA serial I/O port.



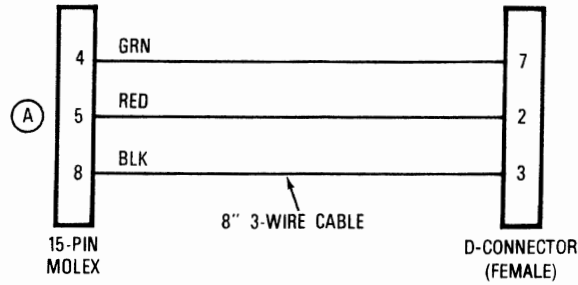
PICTORIAL 1-1

\*Registered Trademark, Molex Products Co.

## WH 8-51 ADAPTER CABLE ASSEMBLY

As shown below, the Model WH-8-51 Adapter Cable is a 3-wire cable terminated at the equipment end in a 15-pin Molex connector and at the other end in a 25-pin female "D" connector. The WH-8-51 Adapter

Cable adapts the serial I/O H8-5 connector on the rear of the H8 (WH8) Computer to a male "D" connector of an EIA serial I/O peripheral.

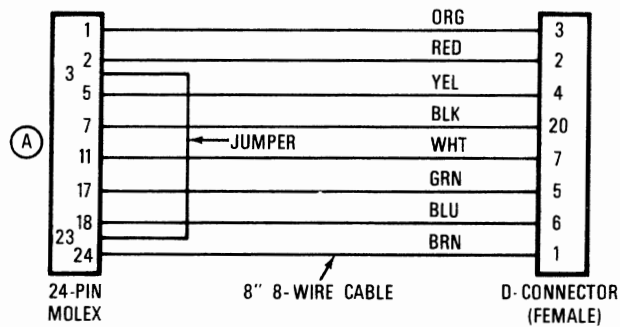


PICTORIAL 1-2

## WH 11-51 ADAPTER CABLE ASSEMBLY

The Model WH 11-51 Adapter Cable shown below is an 8-wire cable terminated at the equipment end in a 24-pin Molex connector and at the other end in a 25-pin female "D" connector. The WH 11-51 Adapter

Cable adapts the output from the H11-5 serial I/O connector on the rear of the H11 (WH11) to a male "D" connector input from an EIA peripheral.

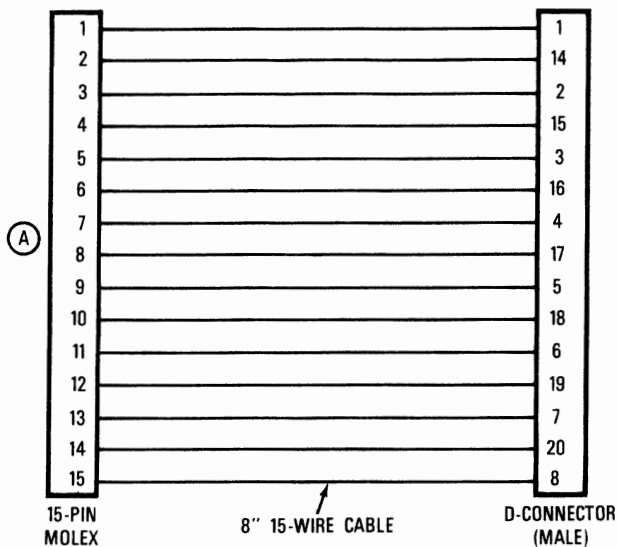


PICTORIAL 1-3

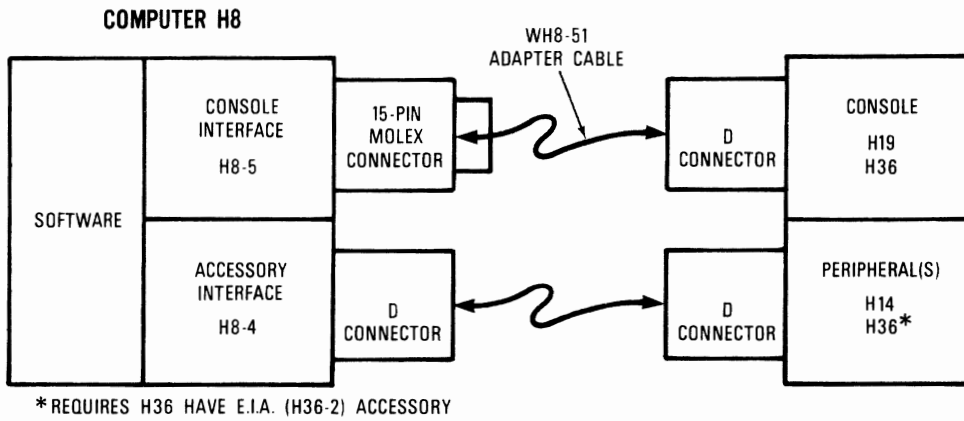
## WH8-41 ADAPTER CABLE ASSEMBLY

As shown below, the Model WH-8-41 Adapter Cable is a 15-wire cable terminated at the equipment end in a 15-pin Molex connector and at the other end in a

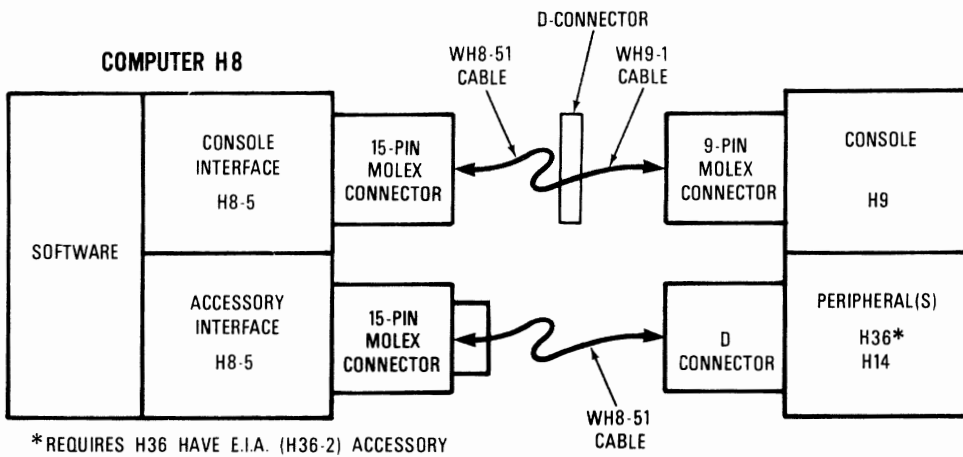
25-pin male "D" connector. The WH 8-41 Adapter Cable adapts the multiport serial I/O H8-4 to a female "D" connector input from an EIA peripheral.



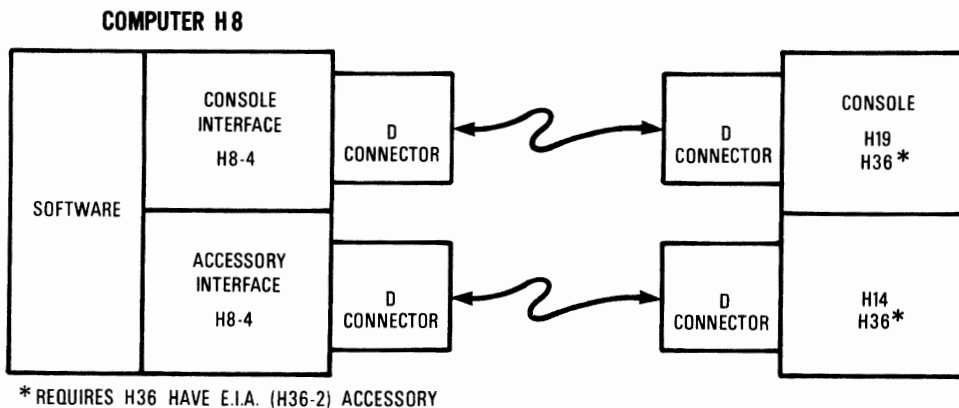
PICTORIAL 1-4



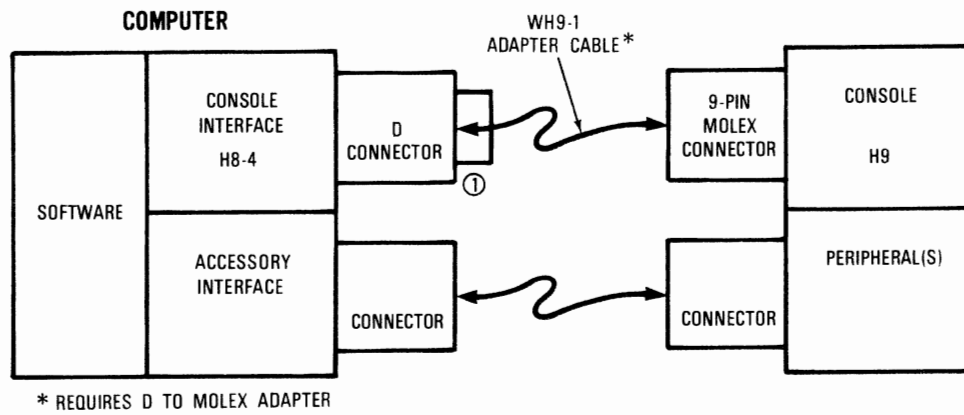
PICTORIAL 2-1



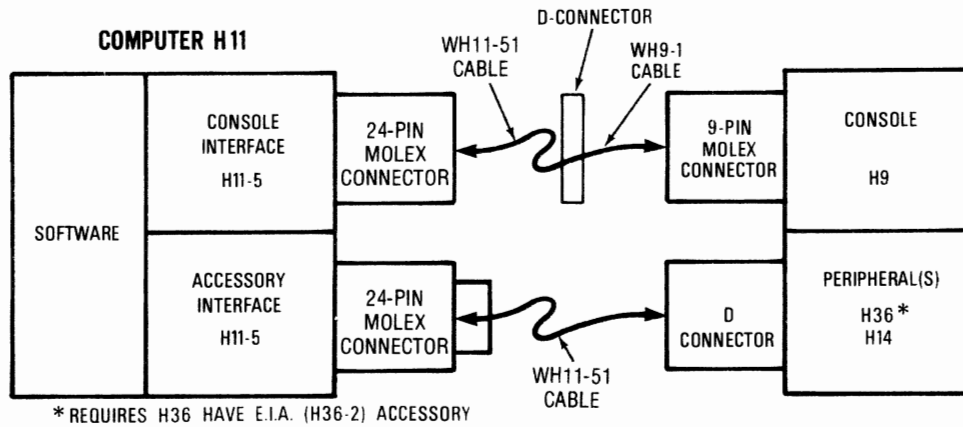
PICTORIAL 2-2



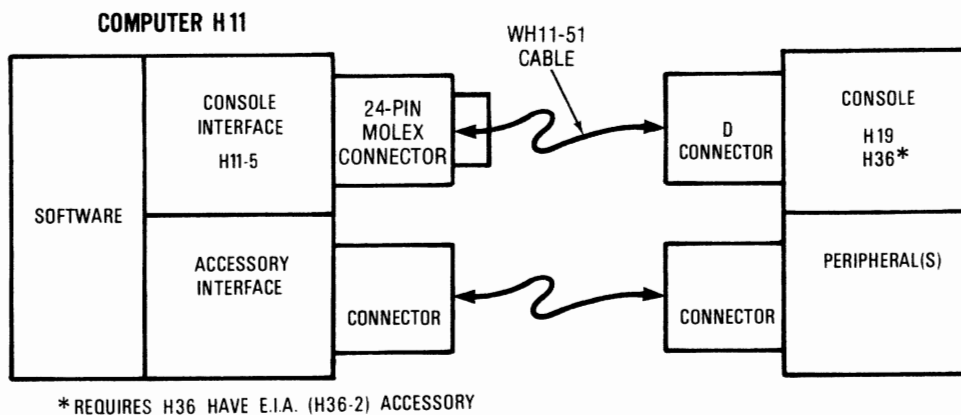
PICTORIAL 2-3



**PICTORIAL 2-4**



**PICTORIAL 2-5**



**PICTORIAL 2-6**